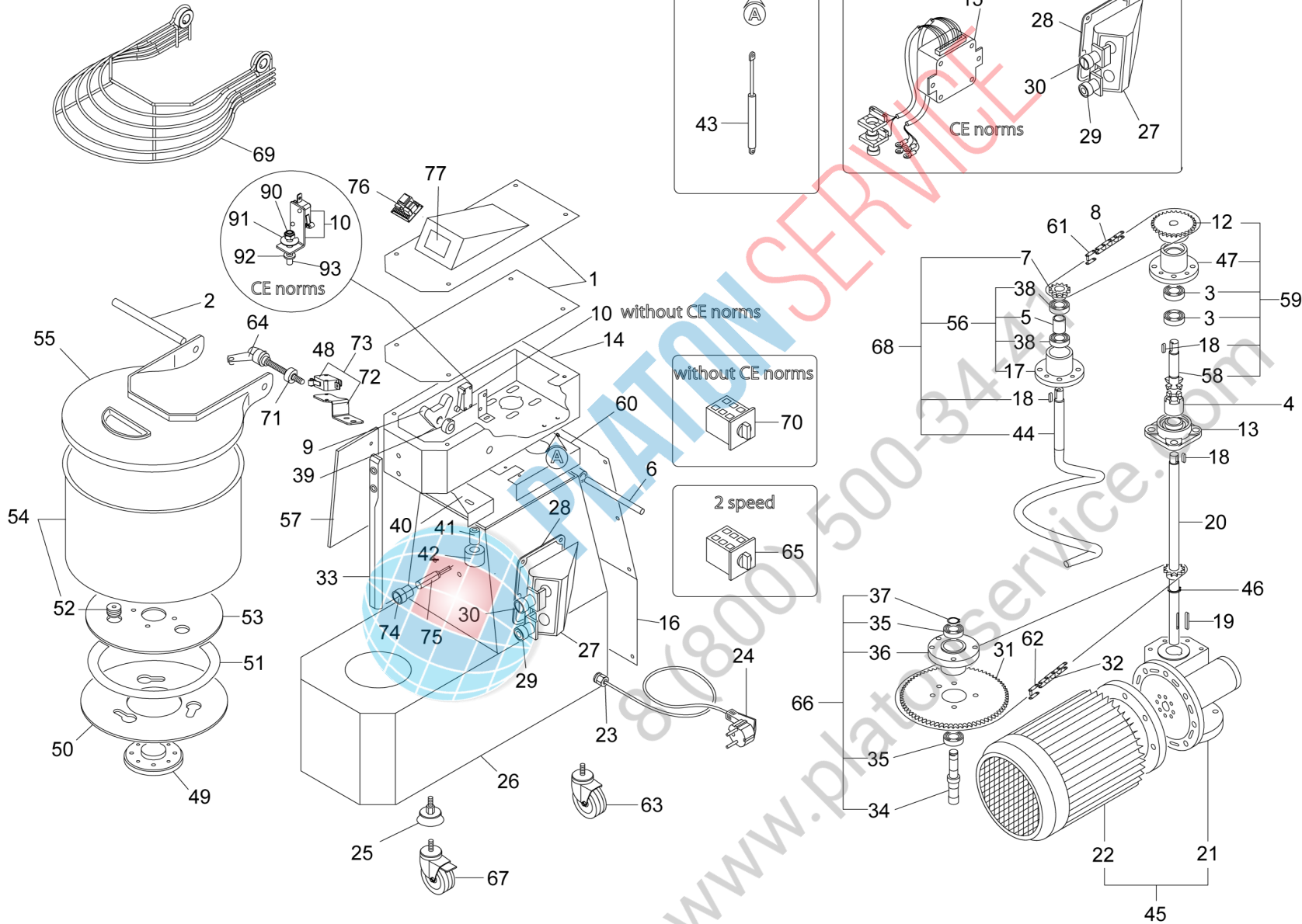


SPEC.	N.	CODE	DENOMINAZIONE - DENOMINATION	PRICE
	1	SL0002	Cover - Coperchio	€ 9.50
Timer digitale	1	SL4143	Cover - Coperchio	€ 36.00
	2	SL0021	Pivot - Perno	€ 4.50
6004 2RS	3	SL1799	Bearing - Cuscinetto	€ 6.70
25/07/07 f.p.(*)	4	SL2524	Joint - Giunto	
	* 4	SL3205	Joint - Giunto	€ 19.00
	5	SL2617	Spacer - Distanziale	
	6	SL2624	Pivot - Perno	€ 5.00
3/8"x7/32" Z=15	7	SL0024	Pinion - Pignone	€ 4.00
3/8"x7/32" (12CNS-FN)	* 8	SL2680	Chain - Catena	€ 4.50
3/8"x7/32" (18CNS-FN)	* 8	SL2681	Chain - Catena	€ 5.00
	9	SL0035	Stop - Battuta	€ 5.00
CE norms da matr.190503100	* 10	SA1157	Microswitch - Microinterruttore	€ 14.00
EXCE norms, 1Ph	10	SL2701	Microswitch - Microinterruttore	€ 18.50
EXCE norms, 3Ph da matr.191105456	10	SL4409	Microswitch - Microinterruttore	€ 19.50
3/8"x7/32" Z=29	12	SL0030	Pinion - Pignone	€ 6.00
UCF204	13	SL0032	Support - Supporto	€ 8.40
(12CNS-FN)	14	SL2568	Head - Testata	€ 55.00
(18CNS-FN)	14	SL2574	Head - Testata	
400V/3Ph/50Hz	* 15	SA1210	Electric installation - Impianto elettrico	€ 55.00
230V/1Ph/50Hz	* 15	SA1220	Electric installation - Impianto elettrico	€ 56.00
230V/1Ph/50Hz timer digitale (12-18)	* 15	SL0987	Electric installation - Impianto elettrico	
400V/3Ph/50Hz timer digitale (12-18)	* 15	SL0988	Electric installation - Impianto elettrico	€ 52.40
	16	SL2845	Cover - Coperchio	
	17	SL0022	Support - Supporto	€ 22.75
5x5x20	18	SL0010	Key - Linguetta	
8x7x40	19	SL3410	Key - Linguetta	€ 1.50
	20	SA1023	Shaft - Albero	€ 18.00
	21	SL3186	Gear box - Riduttore	€ 97.00
230V/1Ph/50Hz	22	SL3212	Motor - Motore	€ 110.00
400V/3Ph/50Hz	22	SL3309	Motor - Motore	€ 100.00
400V/3Ph/50Hz (2 speed)	22	SL3313	Motor - Motore	€ 180.00
PG11	23	SL1668	Cable clamp - Pressacavo	€ 1.00
1Ph+N+Gnd	24	SL1671	Electric cable - Cavo elettrico	€ 6.50
3Ph+Gnd	24	SL1841	Electric cable - Cavo elettrico	€ 12.00
	* 25	SL3361	Foot - Piedino	€ 4.25
	26	SL3358	Base - Base	

*Ricambio consigliato - Advised spare parts

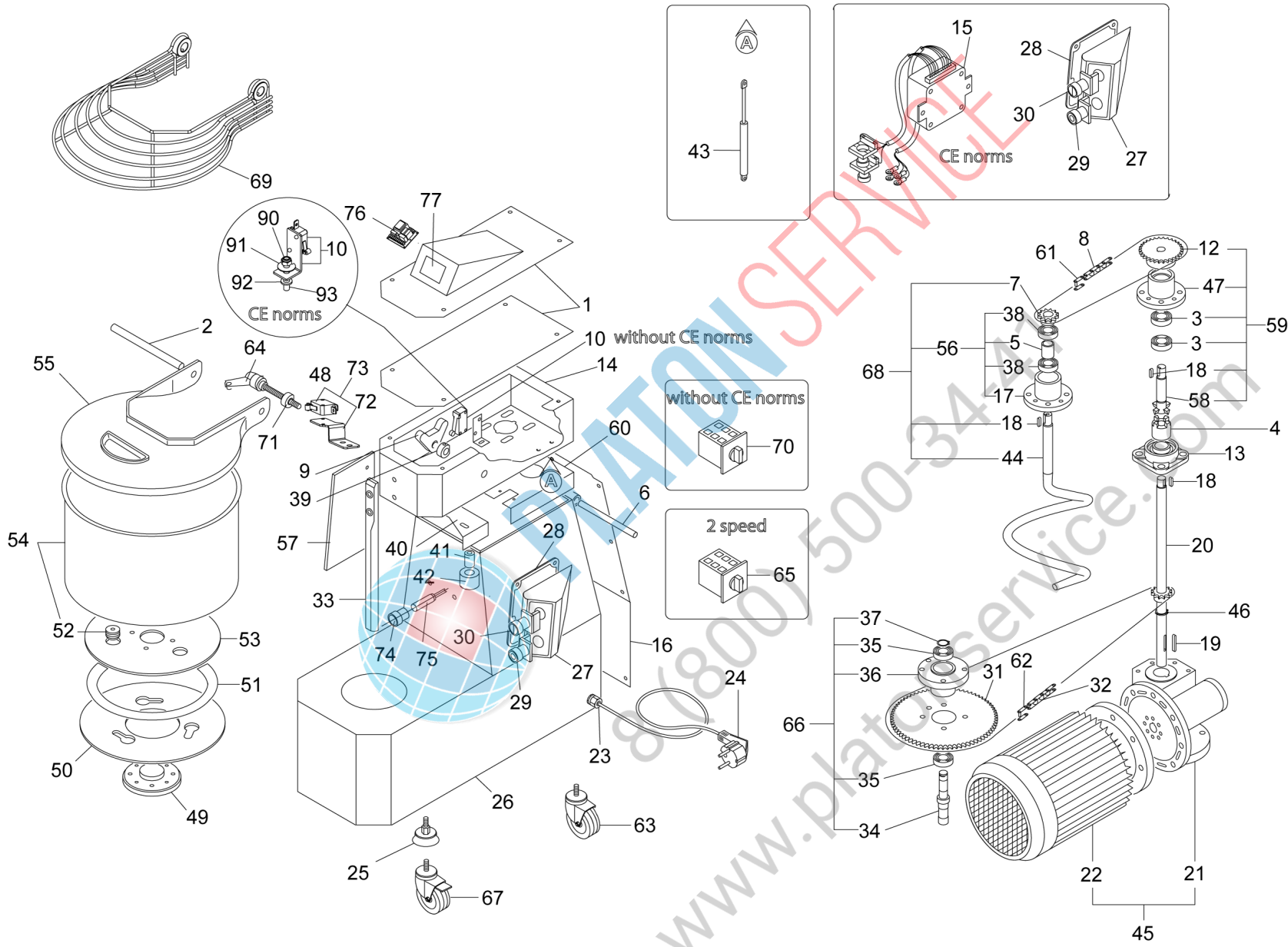


POS. CODE

1	SL0002
1	SL4143
2	SL0021
3	SL1799
4	SL2524
4	SL3205
5	SL2617
6	SL2624
7	SL0024
8	SL2680
8	SL2681
9	SL0035
10	SA1157
10	SL2701
10	SL4409
12	SL0030
13	SL0032
14	SL2568
14	SL2574
15	SA1210
15	SA1220
15	SL0987
15	SL0988
16	SL2845
17	SL0022
18	SL0010
19	SL3410
20	SA1023
21	SL3186
22	SL3212
22	SL3309
22	SL3313
23	SL1668
24	SL1671
24	SL1841
25	SL3361
26	SL3358

SPEC.	N.	CODE	DENOMINAZIONE - DENOMINATION	PRICE
	27	SL0937	Box - Scatola	€ 3.50
	28	SL0396	Gasket - Guarnizione	€ 4.80
Stop	* 29	SL0807	Push button - Pulsante	€ 12.00
Start	* 30	SL1049	Push button - Pulsante	€ 12.00
8x3 Z=85	31	SL0057	Crown - Corona	€ 14.00
8x3	* 32	SL2682	Chain - Catena	€ 10.00
	33	SL3370	Rod - Asta	€ 20.85
	34	SL0014	Shaft - Albero	€ 6.00
6203 2RS	35	SL0131	Bearing - Cuscinetto	€ 6.00
	36	SL0016	Support - Supporto	
ø17	37	SL0017	Seeger - Seeger	€ 0.50
6203 2RS	38	SL0131	Bearing - Cuscinetto	€ 6.00
	39	SL0036	Cam - Camma	€ 3.00
(12CNS-FN)	40	SL2602	Bracket - Staffa	€ 15.00
(18CNS-FN)	40	SL2603	Bracket - Staffa	€ 10.50
	41	SL1090	Spacer - Distanziale	€ 2.50
	* 42	SL2655	Wheel - Ruota	€ 1.80
	43	SL2667	Spring - Molla	€ 14.00
	44	SL0011	Spiral - Spirale	€ 54.00
230V/1Ph/50Hz	45	SL3291	Geared motor - Motoriduttore	€ 195.00
400V/3Ph/50Hz	45	SL3292	Geared motor - Motoriduttore	€ 244.00
400V/3Ph/50Hz (2 speed)	45	SL3306	Geared motor - Motoriduttore	€ 214.00
ø25	46	SL1616	Seeger - Seeger	€ 0.50
	47	SL2626	Support - Supporto	€ 25.30
CE norms IN 07/12	* 48	SL0885	Microswitch - Microinterruttore	€ 8.00
CE norms 07/12 f.p.(*)	48	SL1401	Microswitch - Microinterruttore	€ 11.00
(12-18CNS)	49	SL2620	Flange - Flangia	€ 25.00
(12-18FN)	49	SL2866	Flange - Flangia	
(12CNS)	50	SL2632	Flange - Flangia	€ 22.00
(18CNS)	50	SL2633	Flange - Flangia	€ 24.00
(12-18CNS)	51	SL1890	Gasket - Guarnizione	€ 19.00
(12-18CNS)	52	SL2622	Pivot - Perno	€ 6.00
(12-18CNS)	53	SL2635	Flange - Flangia	€ 22.00
(12CNS) Assembly	54	SA1150	Pan - Pentola	€ 76.00
(18CNS) Assembly	54	SA1160	Pan - Pentola	€ 83.00
(12FN)	54	SL0008	Pan - Pentola	€ 80.00
(18FN)	54	SL0009	Pan - Pentola	€ 90.00
Plastic (12CNS-FN)	* 55	SA1004	Cover - Coperchio	€ 20.00
Plastic (18CNS-FN)	* 55	SA1005	Cover - Coperchio	€ 22.00
Assembly	56	SA4000	Support - Supporto	€ 24.00

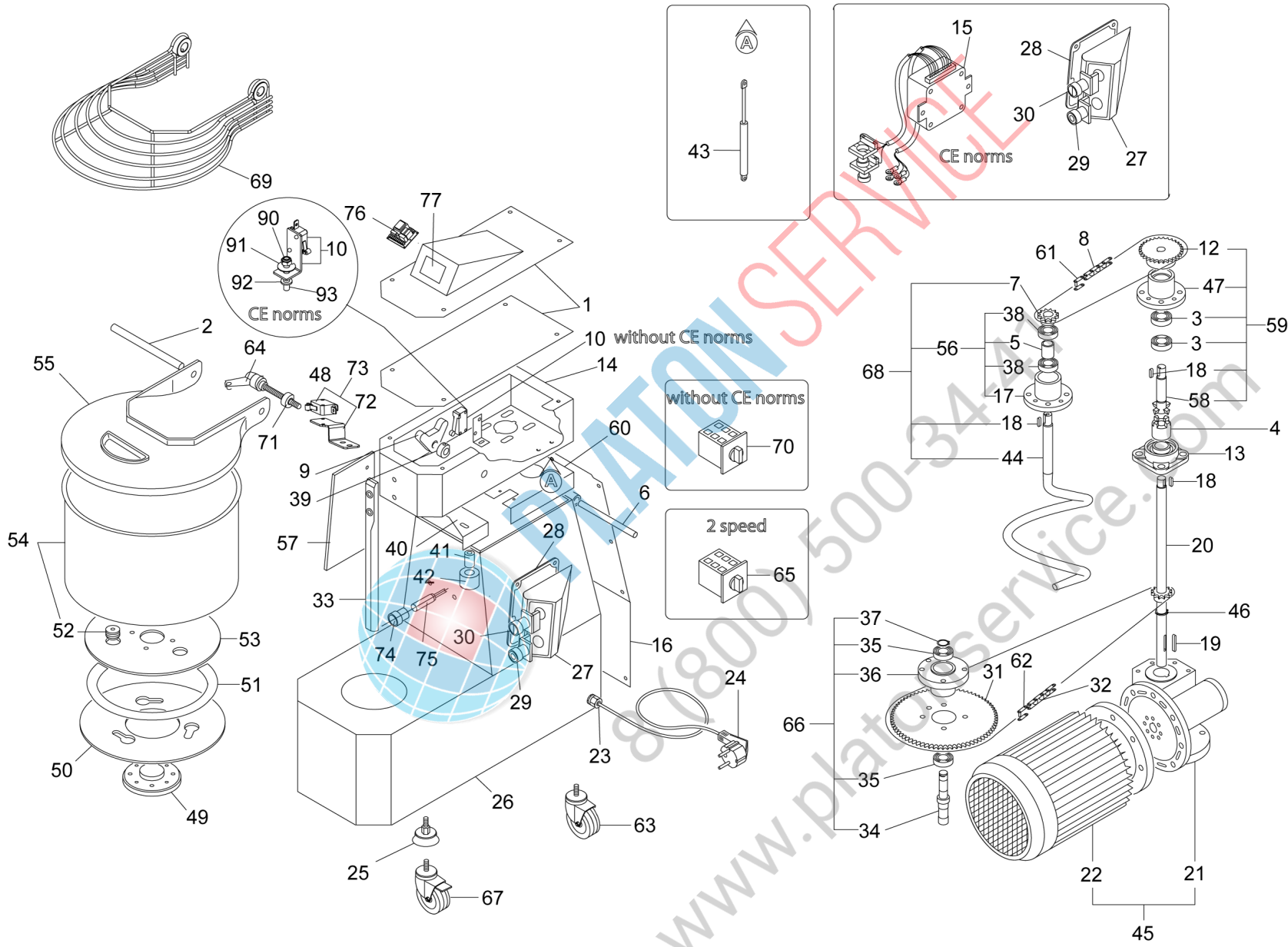
*Ricambio consigliato - Advised spare parts



POS.	CODE
27	SL0937
28	SL0396
29	SL0807
30	SL1049
31	SL0057
32	SL2682
33	SL3370
34	SL0014
35	SL0131
36	SL0016
37	SL0017
38	SL0131
39	SL0036
40	SL2602
40	SL2603
41	SL1090
42	SL2655
43	SL2667
44	SL0011
45	SL3291
45	SL3292
45	SL3306
46	SL1616
47	SL2626
48	SL0885
48	SL1401
49	SL2620
49	SL2866
50	SL2632
50	SL2633
51	SL1890
52	SL2622
53	SL2635
54	SA1150
54	SA1160
54	SL0008
54	SL0009
55	SA1004
55	SA1005
56	SA4000

SPEC.	N.	CODE	DENOMINAZIONE - DENOMINATION	PRICE
	57	SL4109	Protection - Protezione	€ 11.20
25/07/07 f.p.(*)	58	SL2615	Shaft - Albero	
	58	SL3203	Shaft - Albero	€ 10.50
Assembly	59	SA1400	Support - Supporto	€ 42.00
	60	SL2580	Cover - Coperchio	
3/8"x7/32"	61	SL1629	Joint - Giunto	€ 2.50
8x3	62	SL1545	Joint - Giunto	€ 2.00
ø95 M10x30	63	SL3482	Fixed wheel - Ruota fissa	€ 8.00
	64	SL2629	Lever - Leva	€ 4.50
2 speed (CE norms)	65	SL2743	Speed changeover switch - Commutatore di velocità	€ 49.00
2 speed (without CE norms)	65	SL3760	Speed changeover switch - Commutatore di velocità	€ 40.00
Assembly	66	SA1900	Support - Supporto	€ 29.00
ø95 M10x30	67	SL3483	Revolving wheel - Ruota girevole	€ 11.00
Assembly (12-18CNS-FN)	68	SA1033	Support - Supporto	€ 62.00
Stainless steel (12CNS-FN)	69	SL3417	Cover - Coperchio	€ 38.00
Stainless steel (18CNS-FN)	69	SL3418	Cover - Coperchio	€ 40.00
	70	SL0054	Switch - Interruttore	€ 17.35
	71	SL4093	Cam - Camma	€ 8.80
	72	SL4089	Bracket - Staffa	€ 4.50
Assembly	* 73	SA1140	Microswitch - Microinterruttore	€ 15.00
(12CNS)	74	SL4117	Protection - Protezione	€ 11.00
(18CNS)	74	SL4118	Protection - Protezione	
(12-18 CNS) Pentola	* 75	SL4103	Probe - Sonda	€ 26.70
Timer digitale	76	SL4116	Electronic card - Scheda elettronica	€ 27.30
Timer digitale	77	SL4125	Label - Etichetta	
CE norms	90	3113200	NUT - DADO	
CE norms	91	SL6495	WASHER - ROSETTA	
CE norms fino a matr.190503100	92	SL2062	WASHER - ROSETTA	
CE norms fino a matr.190503100	93	SL6484	DOWEL - GRANO	

*Ricambio consigliato - Advised spare parts



POS. CODE

57	SL4109
58	SL2615
58	SL3203
59	SA1400
60	SL2580
61	SL1629
62	SL1545
63	SL3482
64	SL2629
65	SL2743
65	SL3760
66	SA1900
67	SL3483
68	SA1033
69	SL3417
69	SL3418
70	SL0054
71	SL4093
72	SL4089
73	SA1140
74	SL4117
74	SL4118
75	SL4103
76	SL4116
77	SL4125
90	3113200
91	SL6495
92	SL2062
93	SL6484